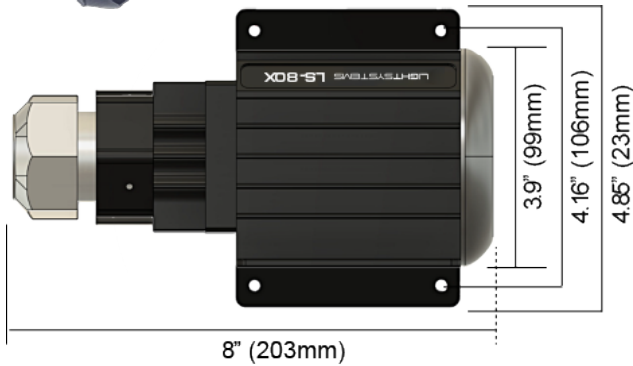


PROJECT	DATE
TYPE	QTY

### IP67 OUTDOOR FIBER OPTIC LED ILLUMINATOR



**LS-80X**



### IP67 OUTDOOR FIBER OPTIC LED ILLUMINATOR

#### DESCRIPTION:

The LS-80X series LED Fiber Optic Light Source is a multi-controllable and configurable fiber optic illuminator for the architectural and commercial lighting, sign and pool & spa markets. It can be configured with white light or RGBW LEDs with a \*stand-alone program, DMX, RS232 Serial or RF. LED options include RGBW, Cool White and Warm White. Discreet colors upon special order, contact the factory for availability. The LS-80X features no serviceable or moving parts.

The fan-less SynJet® Cooler provides for quiet and efficient heat sink cooling with a frictionless oscillating diaphragm.

A 100W/24VDC power supply rated for 100-240VAC and 277VAC for North America only, is included for RGBW.

A 100W/36VDC Power Supply rated for 100-240VAC and 277 VAC for North America only, is included for WHITE.

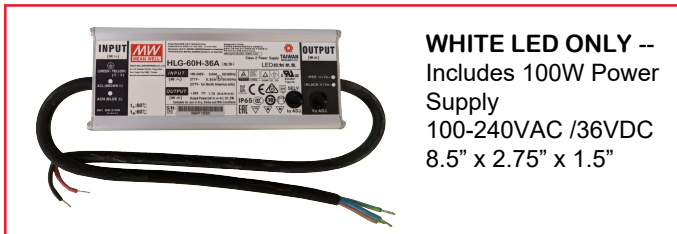
\*Stand-alone program / SB - Smart Board option:

Advance through the color programs by toggling the ON/OFF switch. Blue/White/Cyan/Green/Magenta/Red/Gold/Smooth Color Cycle Through All Colors.

### SPECIFICATIONS

PARAMETER	RGBW	WHITE
Input Voltage	100-240VAC / 277VAC	100-240VAC / 277VAC
Amps	4 Amps	1 Amp
Wattage	100 W Max	40 W Max
Power Supply	24 VDC Class 2	36 VDC Class 2
Hz	50/60	50/60
Fiber Capacity	1000	1000
Operating Temp.	-10*c to 80* C	-10*c to 80* C
Weight	7 lbs.	7 lbs.
Outdoor Rating	IP67	IP67
Housing	Aluminum	Aluminum
Dimensions	W: 4.85" (23mm) H: 3.9" (99mm) L: 8" (203mm)	

\*Standard 6 ft. Cable to Power Supply.  
(Longer lengths available. Contact Factory)



**WHITE LED ONLY --**  
Includes 100W Power Supply  
100-240VAC /36VDC  
8.5" x 2.75" x 1.5"



**RGBW --** Includes  
100W Power Supply  
100-240VAC /24VDC  
8.5" x 2.75" x 1.5"

### PHOTOMETRICS

LED	Lumens @ 700ma
WW	4248 lm
CW	6453 lm
RGBW	3465 lm (R=765 G=920 B=230 W=1550)



### ION-80X : LED Fiber Optic Illuminator

MODEL #	DESCRIPTION
<input type="checkbox"/> LS - 80X - WW	Warm White 3000K 98CRI
<input type="checkbox"/> LS - 80X - CW	Cool White 5500K 98CRI
<input type="checkbox"/> LS- 80X - RGBW-SB	RGB+W LED Smart Board 2 Wire w/ toggle ON/OFF Color Control (Built-in Programs)
<input type="checkbox"/> LS - 80X - RGBW-5W	5 Wire for RGB+W (For RF, DMX or RS232 controllers)

### ACCESSORIES

- RF** - RF Controller + Handheld Remote
- DMX4** - 4 Channel DMX512 Decoder for RGBW
- DE3** - STICK-DE3 DMX Wall Controller
- RS232** - Advanced RS232 Serial Controller
- EPICWIFI** - WiFi for Advanced RS232 Serial Cont.
- DMX-WIFI** - Wall Controller w/ WIFI & Phone APP

### LIGHT SYSTEMS LLC

1128 Royal Palm Beach Blvd. Ste. 163, Royal Palm Beach, Florida 33411 USA • Phone: 1.561.248.0299

[lightsystems.us](http://lightsystems.us)